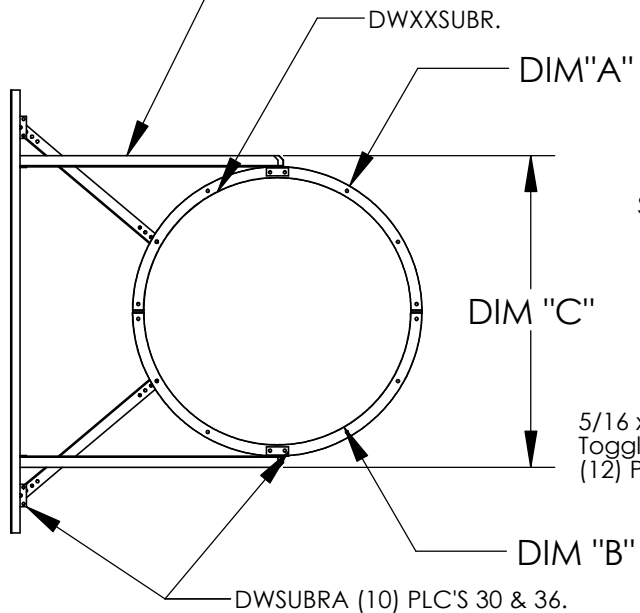


DUCT INFORMATION TABLE

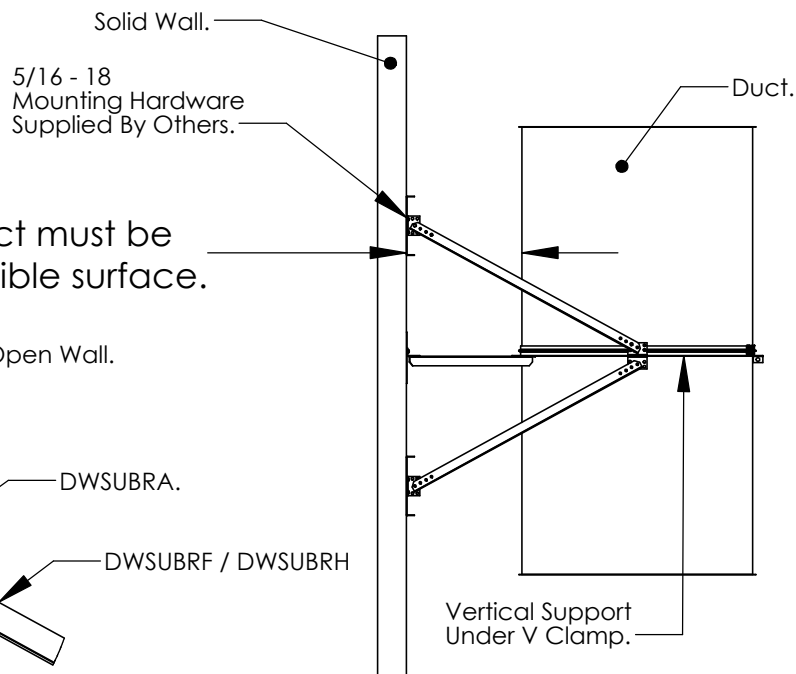
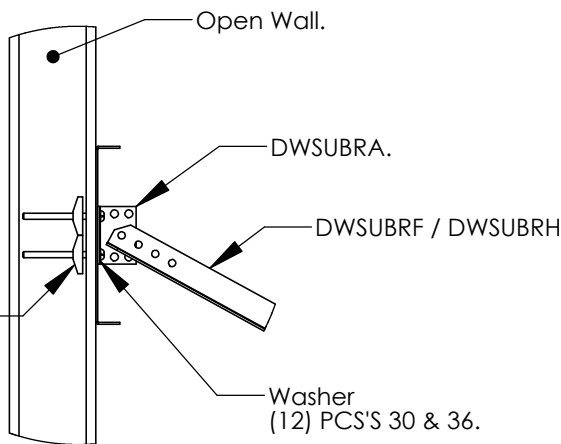
Duct Diameter	DIM "A" DIA	DIM "B" DIA	DIM "C"	Part Number	Part Number
30"	32.196	30.198	35.701	DW30VESU	DW30VESU18
36"	39.196	36.198	42.701	DW36VESU	DW36VESU18

DWSUBRF (4) PLC'S - LESS THAN 18" CLEARANCE - 30 & 36.  
 DWSUBRH (4) PLC'S - 18" CLEARANCE - 30 & 36.

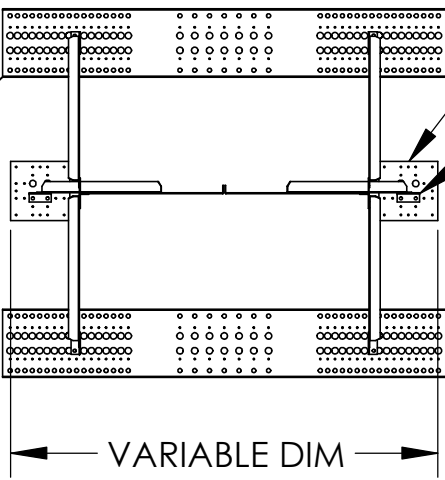
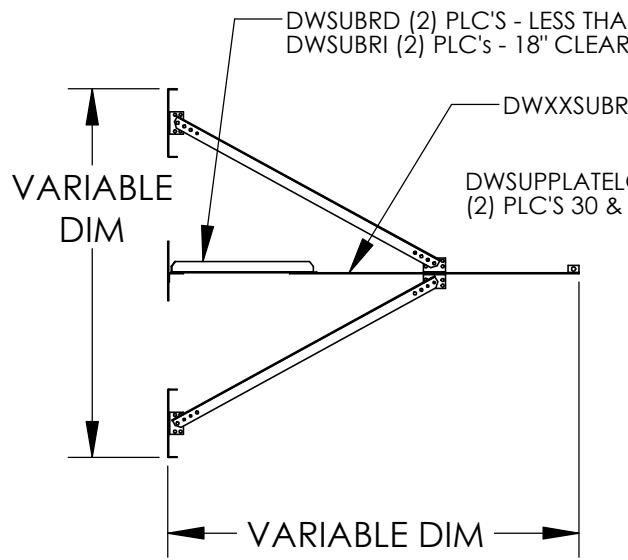


Uninsulated duct must be 18" from combustible surface.

DETAIL A  
 SCALE 1 : 10



DWSUBRD (2) PLC'S - LESS THAN 18" CLEARANCE - 30 & 36.  
 DWSUBRI (2) PLC'S - 18" CLEARANCE - 30 & 36.



DWSUPPLATE  
 (2) PLC'S 30 & 36.

DWSUBRA  
 (10) PLC'S 30 & 36.

5/16 x 4" Long  
 Toggle Bolts Are  
 Used To Secure  
 Support To Open  
 Walls, Hardware  
 Provided.

